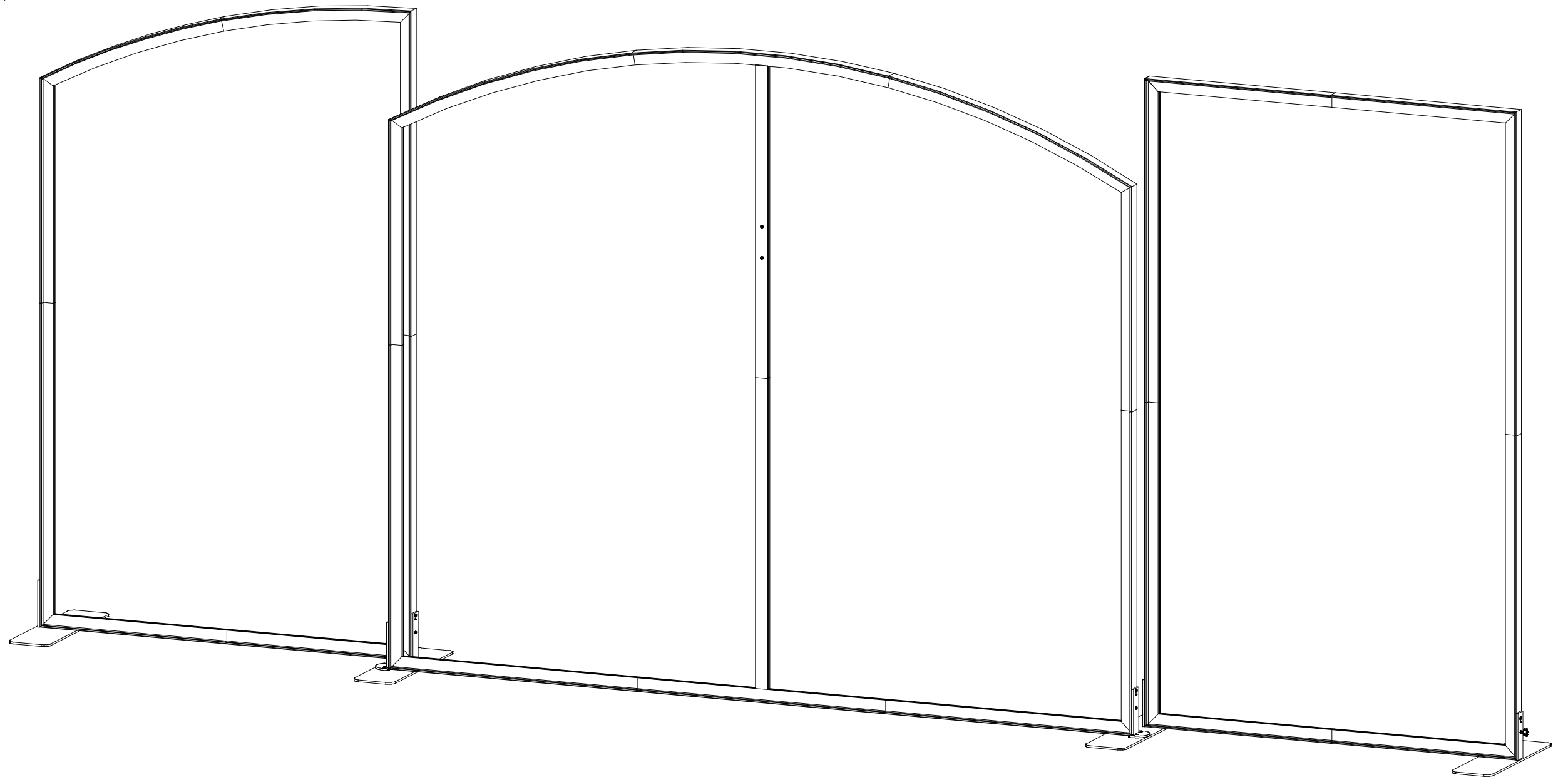


## Symphony Portable Display - General Setup Instructions



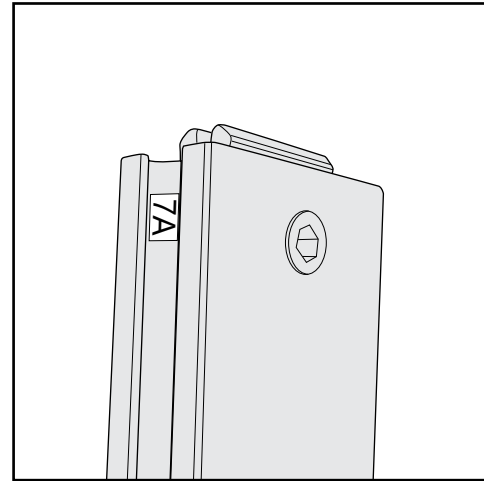
Perspective View



Plan View

## General Setup Instructions

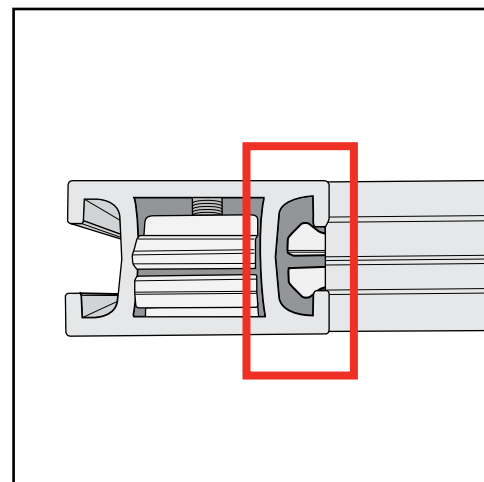
- Read entire setup instruction manual prior to unpacking parts and pieces.
- The setup instructions are created specifically for this configuration.
- Setup instructions are laid out sequentially in steps, including exploded views with detailed explanation for assembly.



Part Identification - Numbering

## Cleaning & Packing

- For Cleaning Metal, Plex, & Laminate Parts: Use a **MILD NON-ABRASIVE** cleanser and soft cloth/paper towel to clean all surfaces.
- Keep exhibit components away from heat and prolonged sun exposure.  
**Heat and UV exposure will warp and fade components.**
- Retain all provided Packing Materials. All provided packing materials are for ease of repacking & component protection.



Engaged Lock



# WARNING



DO NOT USE POWER TOOLS



ALL CONNECTIONS MUST BE TIGHTLY SECURED

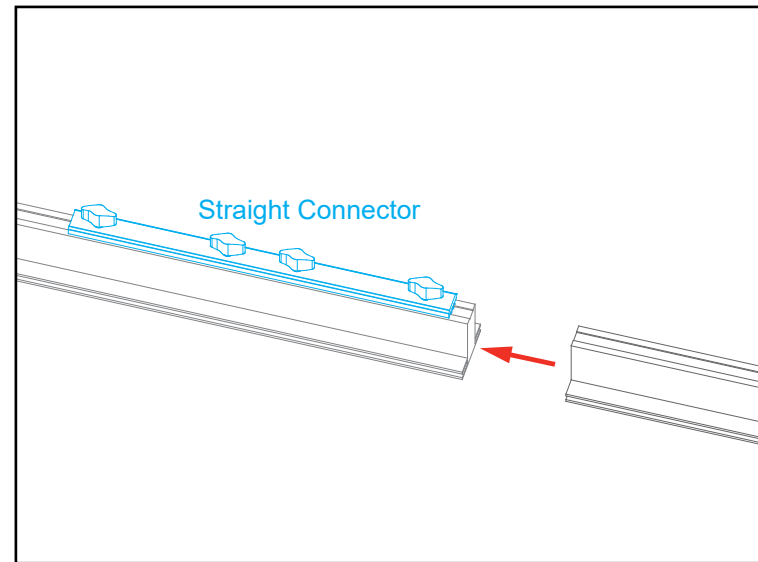
## Disassembly

- For loss prevention, keep all knobs & connectors attached to extrusions during disassembly.

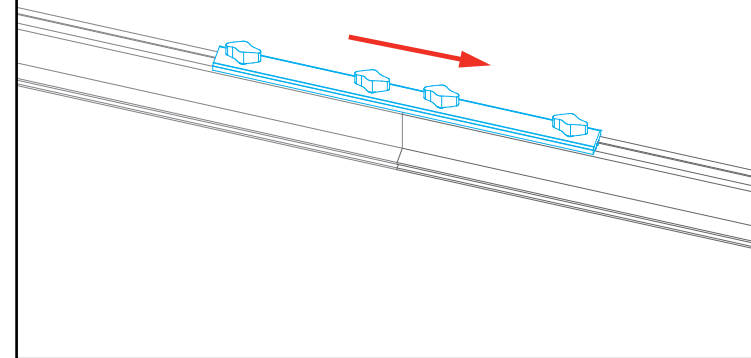
## Straight Connection

When assembling frame, first attach all **straight connectors**, then attach **corner connectors**.

- 1) Place extrusions end-to-end.
- 2) Loosen all knobs, then slide **straight connector** across the seam of extrusions.
- 3) Tighten all knobs to secure connection.



Slide connector across seam of extrusions.  
Tighten all knobs.



## Disassembly

- 1) Loosen all knobs.
- 2) Slide connectors off of one extrusion.
- 3) Tighten knobs to prevent loss during packing & shipping.

Keep straight connectors in groove of extrusion. Do not remove connectors during disassembly.

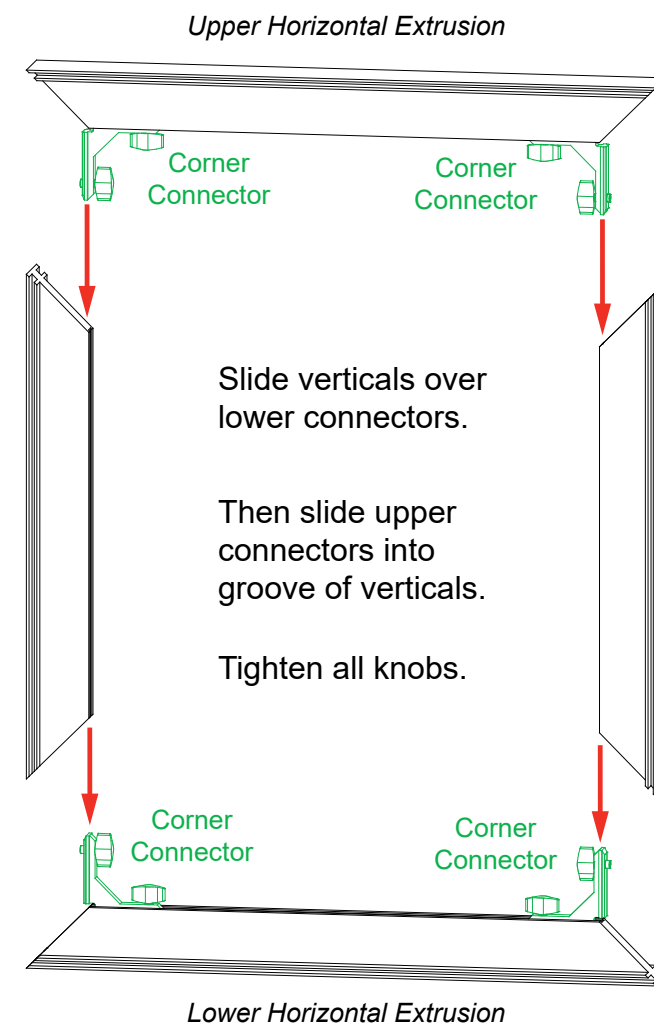
All knobs must be tightened securely to ensure a proper connection.

## Corner Connection

- 1) Loosen knobs, then slide vertical extrusions onto **corner connectors** of **lower** horizontal extrusion.
- 2) Slide **corner connectors** of **upper** horizontal extrusion into grooves of vertical extrusions.
- 3) Tighten all knobs to secure connection.

## Disassembly

- 1) Loosen knobs on vertical extrusions.
- 2) Slide the vertical extrusions off of **corner connectors** on lower and upper horizontal extrusions.



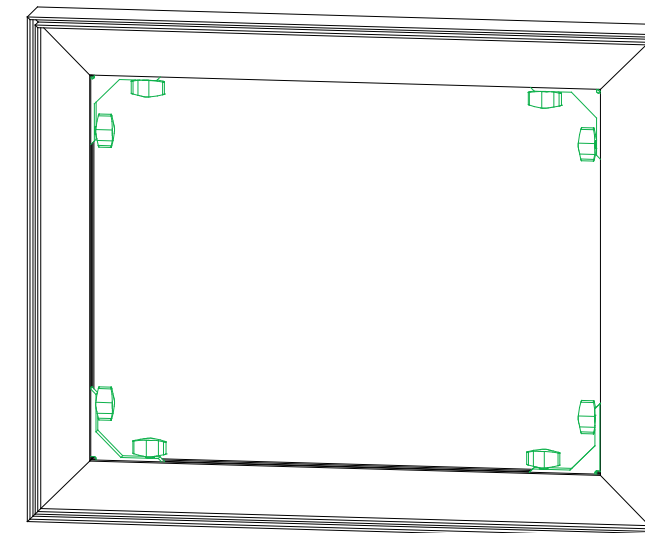
Slide verticals over lower connectors.

Then slide upper connectors into groove of verticals.

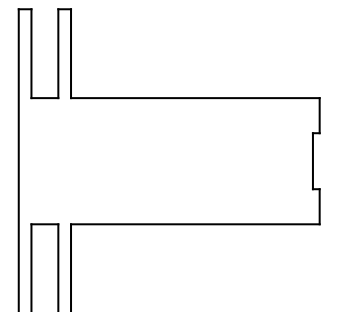
Tighten all knobs.



Adjust connectors if necessary to prevent gaps in connection.



COMPLETED ASSEMBLY



TSP49 Profile

All knobs must be tightened securely to ensure a proper connection.

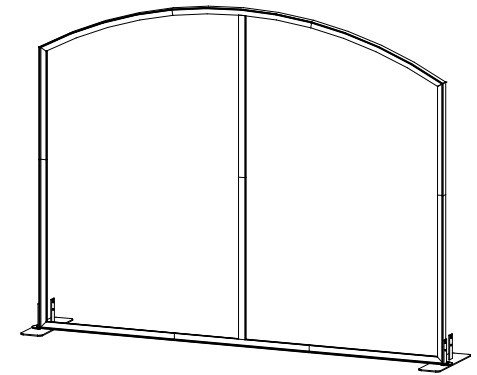
**Frame Assembly - Middle Arch Frame**

| Item | Qty. | Description                                      |
|------|------|--|
| 1    | 1    | 45"h TSP49 Vertical Extrusion                    |
| 2    | 1    | 31.305"h TSP49 Vertical Extrusion                |
| 3    | 1    | 45"h TSP49 Vertical Extrusion                    |
| 4    | 1    | 31.305"h TSP49 Vertical Extrusion                |
| 5    | 1    | 36.467"w TSP49 Horizontal Extrusion              |
| 6    | 1    | 36.467"w TSP49 Horizontal Extrusion              |
| 7    | 1    | 36.467"w TSP49 Horizontal Extrusion              |
| 8    | 1    | 38.019"w TSP49 curved Horizontal Extrusion       |
| 9    | 1    | 38.019"w TSP49 curved Horizontal Extrusion       |
| 10   | 1    | 38.019"w TSP49 curved Horizontal Extrusion       |
| 11   | 1    | 43.209"h Z45 Vertical Extrusion                  |
| 12   | 1    | 43.423"h Z45 Vertical Extrusion                  |
| 13   | 1    | 6" x 22" Base Plate w/ adjustable flange (left)  |
| 14   | 1    | 6" x 22" Base Plate w/ adjustable flange (right) |

**Steps:**

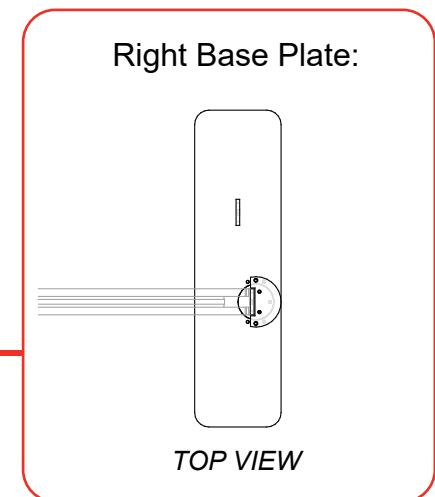
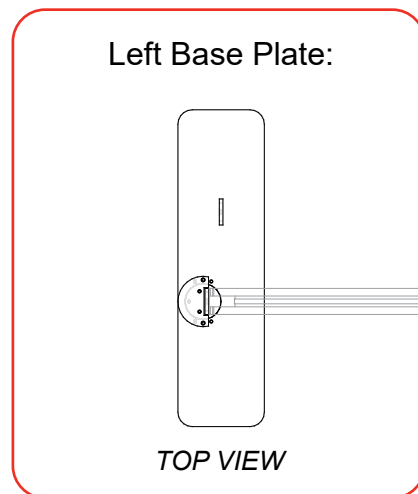
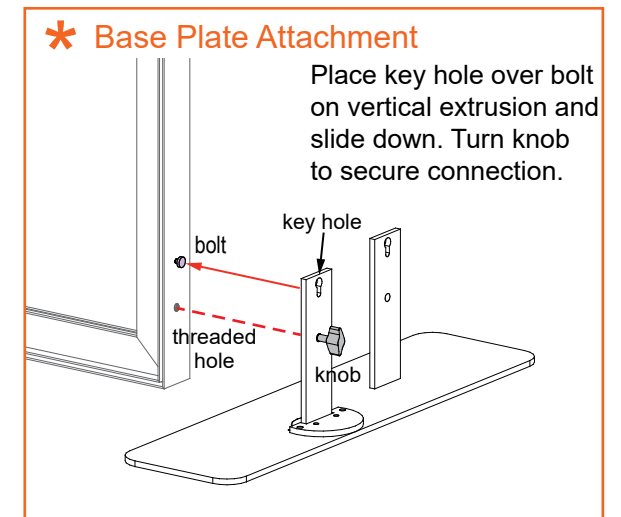
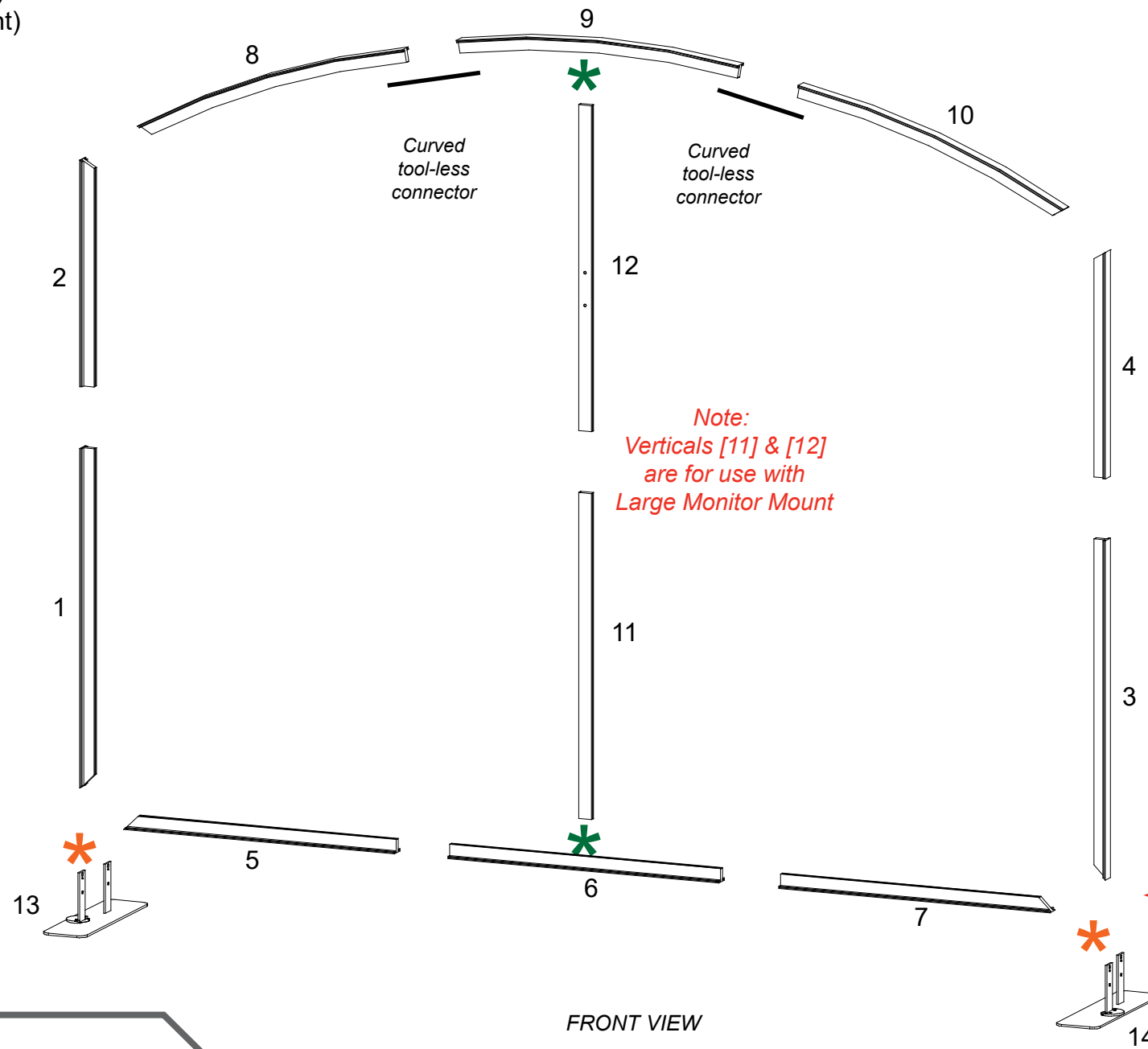
Refer to the TSP49 Frame Assembly general information page.

- 1) Assemble vertical extrusions [1-2], [3-4] & horizontals [5-6-7], [8-9-10] together using tool-less connectors.
- 2) Connect vertical assemblies [1/2], [3/4] between horizontal assemblies [5/6/7], [8/9/10], using tool-less corner connectors.
- 3) Attach verticals [11-12] between horizontal assemblies [5/6/7], [8/9/10] using **Connection Lock w/ Knob**.
- 4) Install Base Plates [11] & [12] to bottom corners of frame assembly as shown. See **Base Plate Attachment** detail.



When assembled

Assemble frame flat on ground.



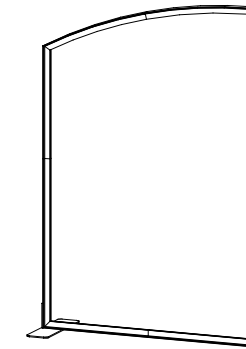
**Frame Assembly - Left Flat Arch Frame**

| Item | Qty. | Description                                |
|------|------|--|
| 1    | 1    | 45"h TSP49 Vertical Extrusion              |
| 2    | 1    | 31.305"h TSP49 Vertical Extrusion          |
| 3    | 1    | 45"h TSP49 Vertical Extrusion              |
| 4    | 1    | 45"h TSP49 Vertical Extrusion              |
| 5    | 1    | 27.35"w TSP49 Horizontal Extrusion         |
| 6    | 1    | 27.35"w TSP49 Horizontal Extrusion         |
| 7    | 1    | 28.514"w TSP49 curved Horizontal Extrusion |
| 8    | 1    | 28.514"w TSP49 curved Horizontal Extrusion |
| 9    | 1    | 6" x 22" End Base Plate w/ foot            |

**Steps:**

*Refer to the TSP49 Frame Assembly general information page.*

- 1) Assemble vertical extrusions [1-2], [3-4] & horizontals [5-6], [7-8] together using tool-less connectors.
- 2) Connect vertical assemblies [1/2], [3/4] between horizontal assemblies [5/6], [7/8], using tool-less corner connectors.
- 3) Install Base Plate [9] to bottom corner of frame assembly as shown. See [Base Plate Attachment](#) detail.

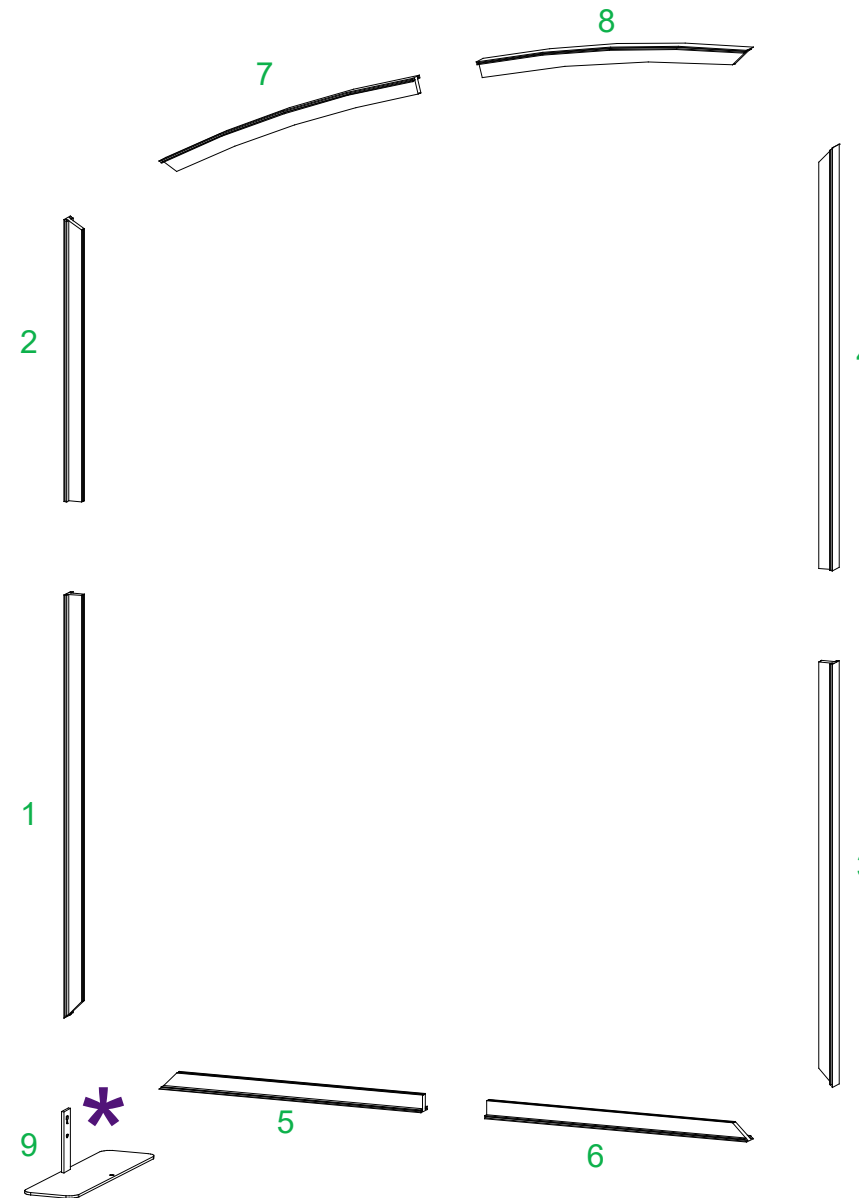


When assembled

Assemble frame flat on ground.

**\* Base Plate Attachment**

- 1) Place key hole over bolt on panel & slide down.
- 2) Twist knob to secure connection.



FRONT VIEW

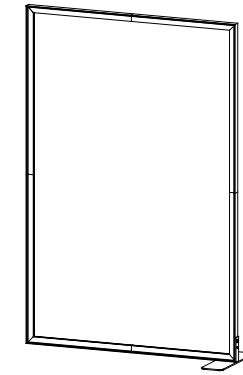
**Frame Assembly - Right Flat Rectangle Frame**

| Item | Qty. | Description                        |
|------|------|------------------------------------|
| 1    | 1    | 45"h TSP49 Vertical Extrusion      |
| 2    | 1    | 45"h TSP49 Vertical Extrusion      |
| 3    | 1    | 45"h TSP49 Vertical Extrusion      |
| 4    | 1    | 45"h TSP49 Vertical Extrusion      |
| 5    | 1    | 27.35"w TSP49 Horizontal Extrusion |
| 6    | 1    | 27.35"w TSP49 Horizontal Extrusion |
| 7    | 1    | 27.35"w TSP49 Horizontal Extrusion |
| 8    | 1    | 27.35"w TSP49 Horizontal Extrusion |
| 9    | 1    | 6" x 22" End Base Plate w/ foot    |

**Steps:**

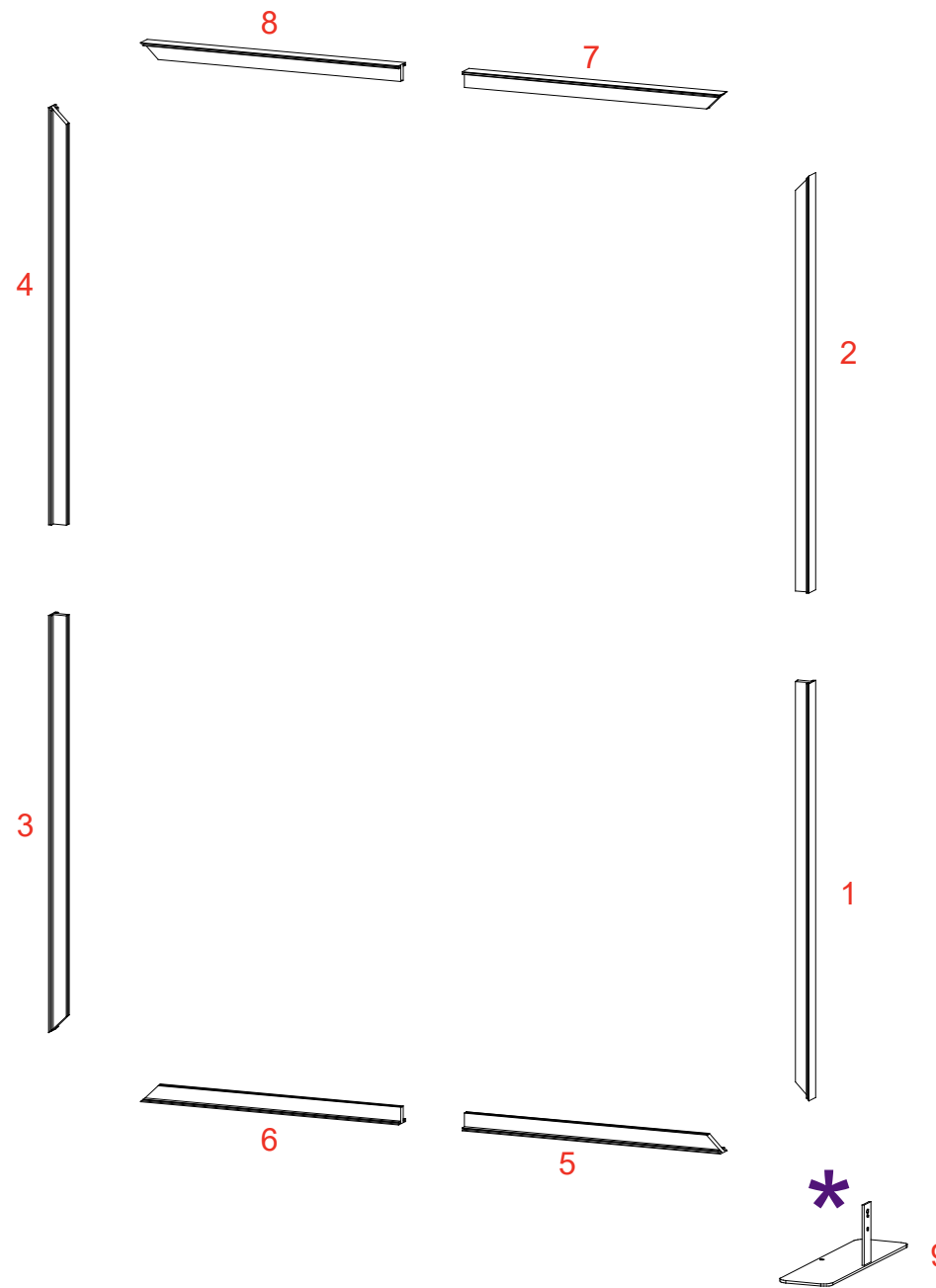
Refer to the TSP49 Frame Assembly general information page.

- 1) Assemble vertical extrusions [1-2], [3-4] & horizontal extrusions [5-6], [7-8] together, using tool-less Straight Connectors.
- 2) Connect vertical assemblies [1/2], [3/4] between horizontal assemblies [5/6], [7/8], using tool-less Corner Connectors.
- 3) Install Base Plate [9] to bottom corners of frame assembly as shown. See [Base Plate Attachment](#) detail.



When assembled

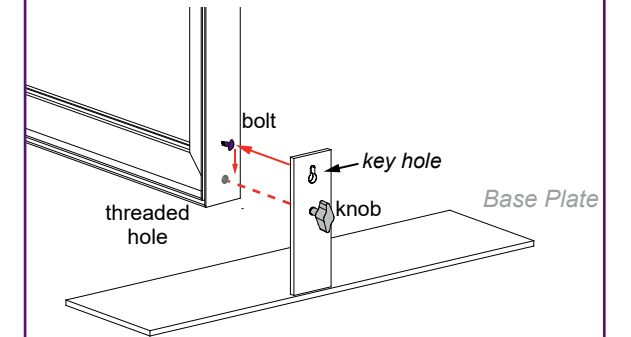
Assemble frame flat on ground.



FRONT VIEW

**\* Base Plate Attachment**

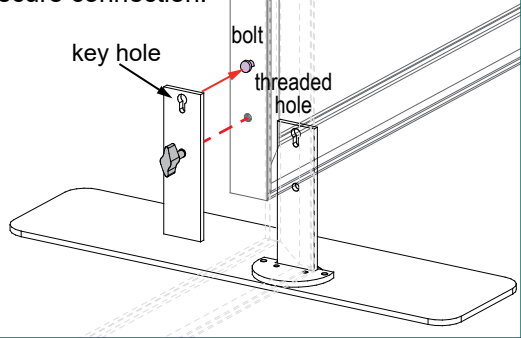
- 1) Place key hole over bolt on panel & slide down.
- 2) Twist knob to secure connection.



**Middle & Side Frames Connection**

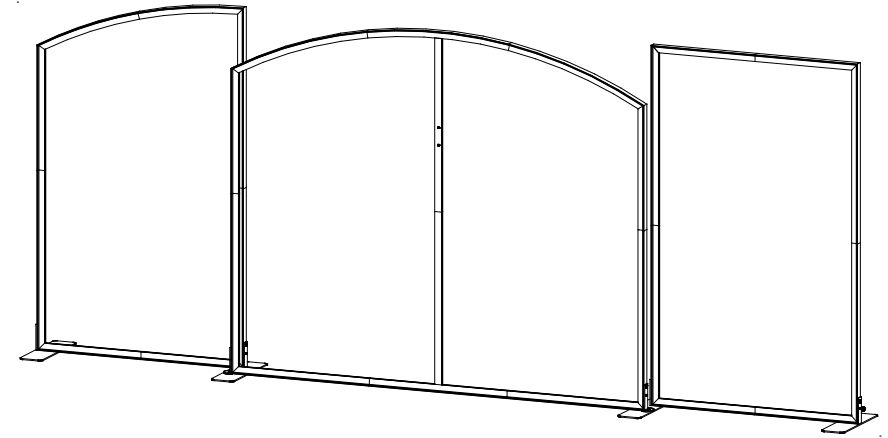
**\* Base Plate Attachment**

Place key hole over bolt on vertical extrusion and slide down. Turn knob to secure connection.

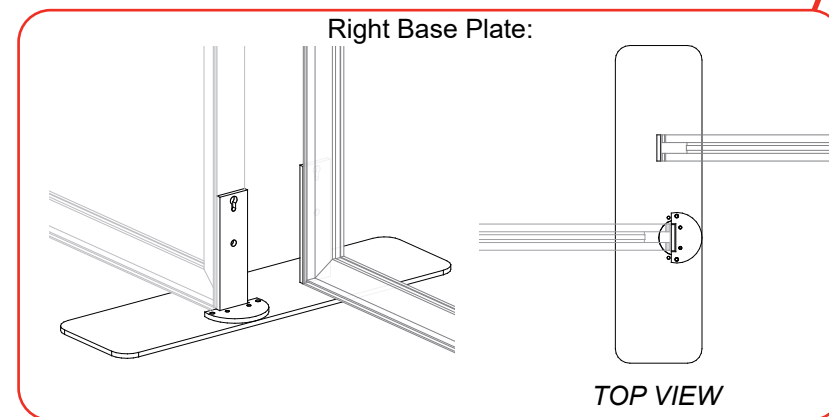
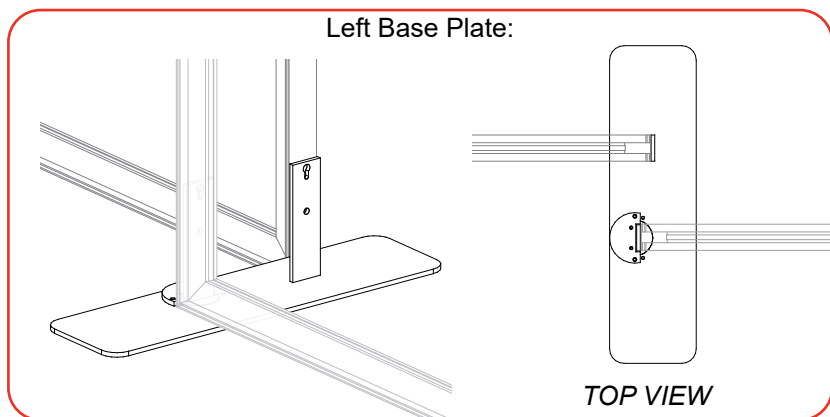
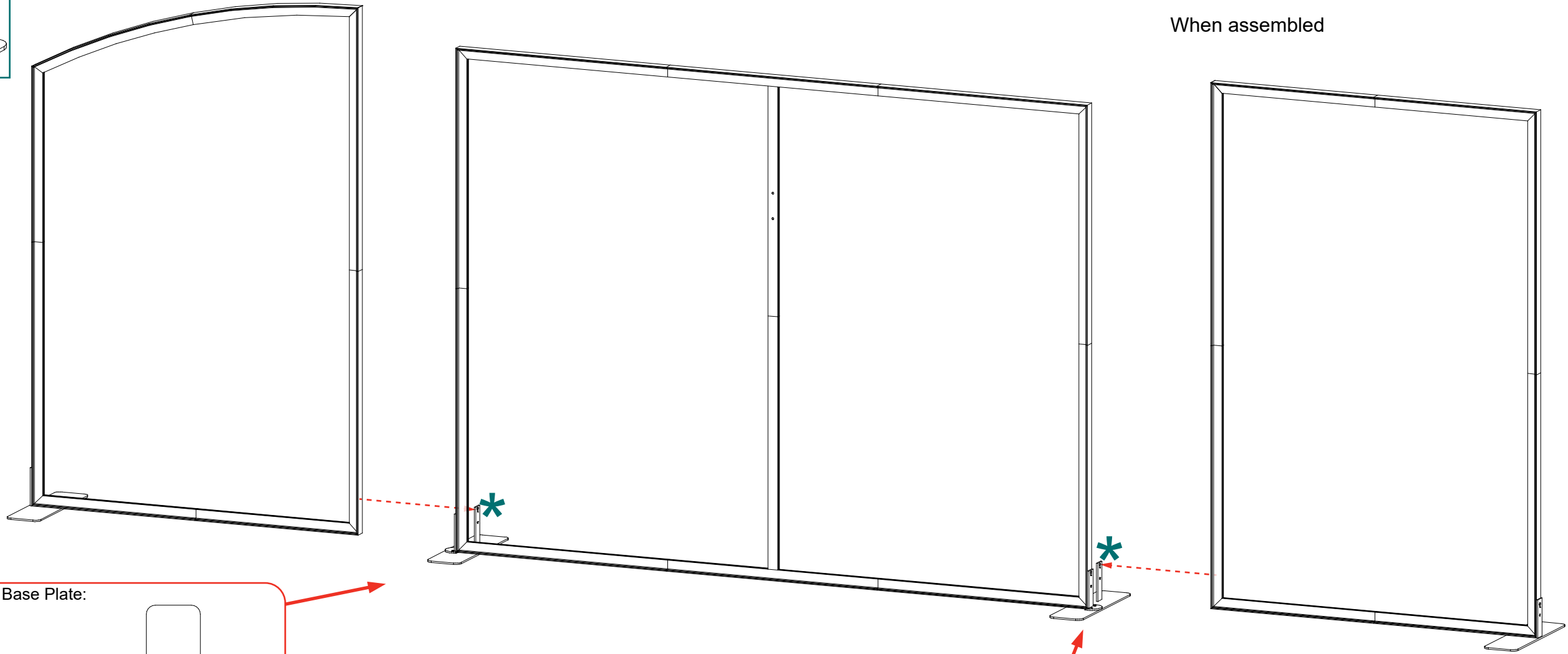


Steps:

- 1) Connect vertical of Left Frame Assembly to Base Plate of Middle Frame Assembly. See [Base Plate Attachment](#) detail.
- 2) Attach vertical of Right Frame Assembly to Base Plate of Middle Frame Assembly. See [Base Plate Connection](#) detail.

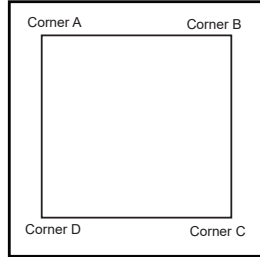


When assembled





## SEG Graphic Installation



It is important to first insert graphic into each alternate corner, then to the sides of the frame. If this is not done, graphic will not fit into the frame correctly.



**Step 1**  
Insert corner A. Turn edge of graphic so silicon welt is perpendicular to face of graphic. Insert narrow side of welt with fabric to outside into the channel. Repeat for other side of this corner.



**Step 2**  
Repeat Step 1 for opposite corner C, then insert corner B, followed by corner D, to complete the installation of the corners.

### Graphic Removal



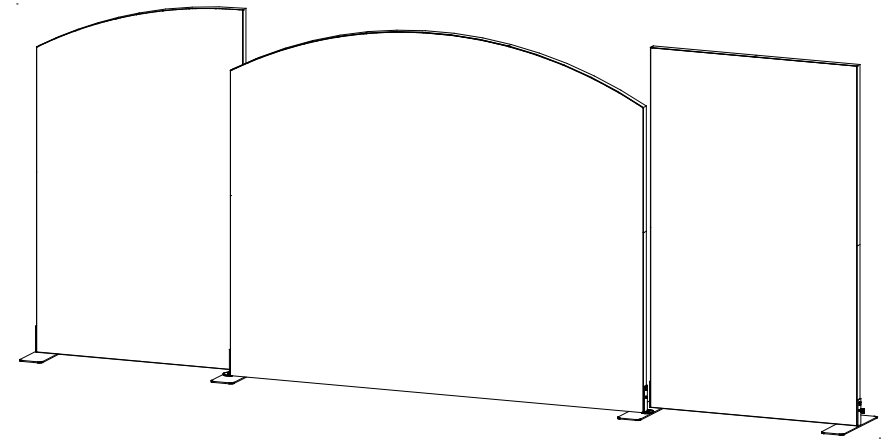
**Step 3**  
Once all corners are inserted, press one silicon edge into channel from corners and work toward the center. Make sure welt is fully inserted into channel. Continue until all sides are done. Smooth out edges of graphic.



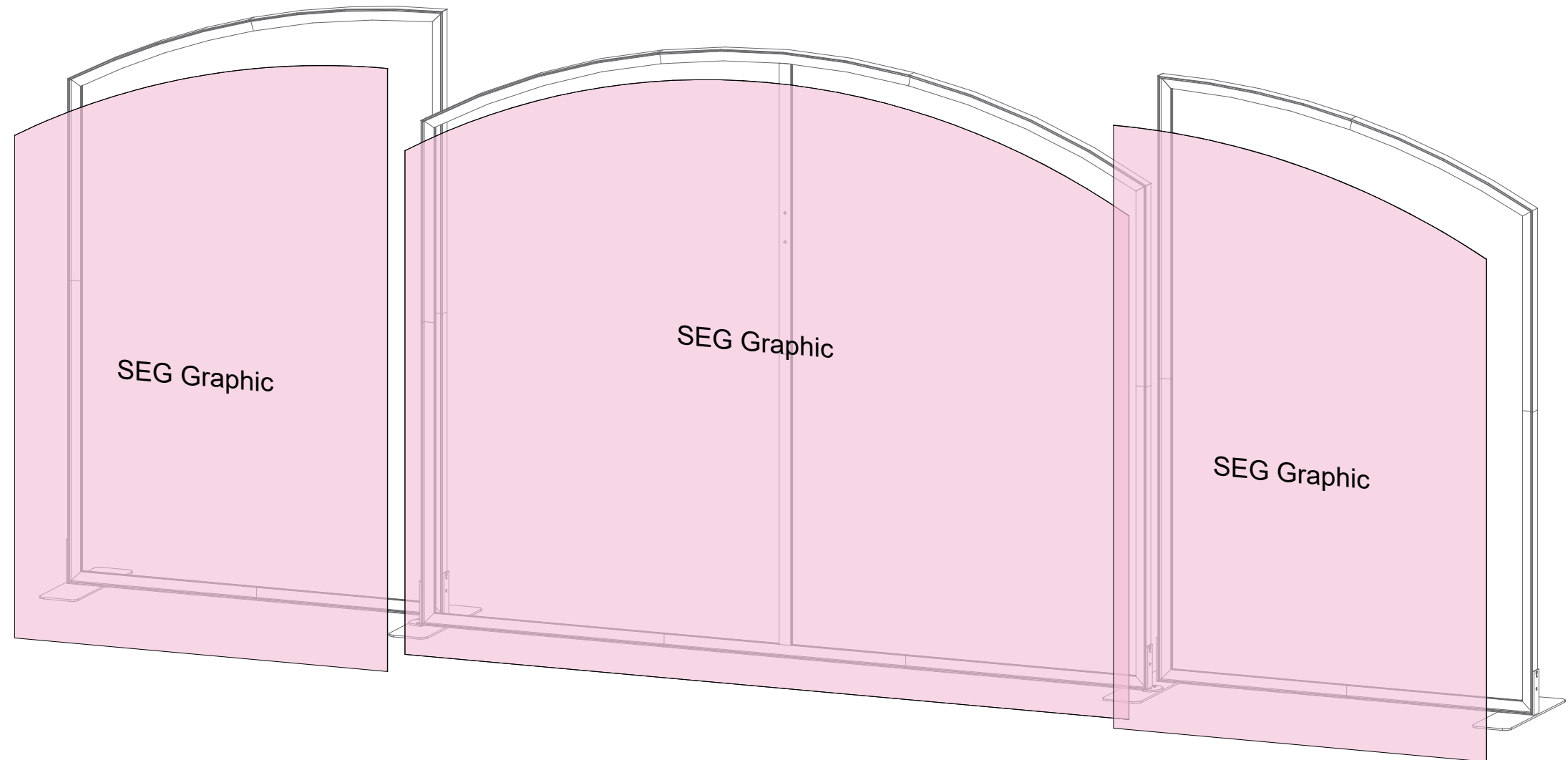
To remove the graphic from the frame, locate the fabric pull tab. Gently pull up on the tab to remove the fabric.

Steps:

1) Apply SEG Graphics to assembled frames. Refer to the SEG Installation general information page.



When assembled

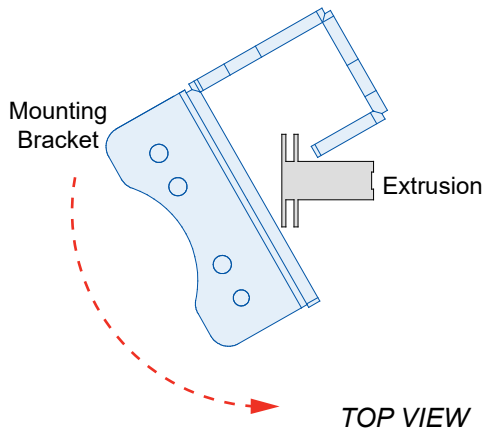


FRONT VIEW



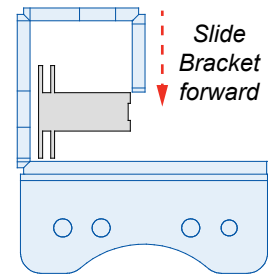
Workstation Mounting Bracket Attachment

① Hook the Mounting Bracket over the vertical extrusion.

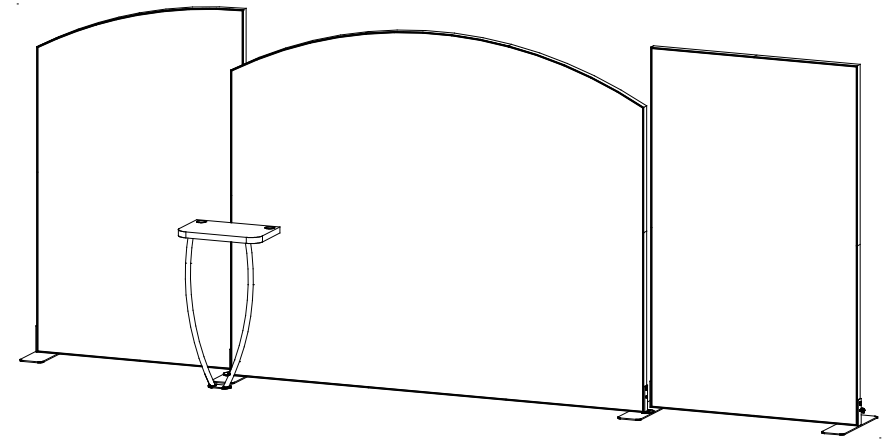
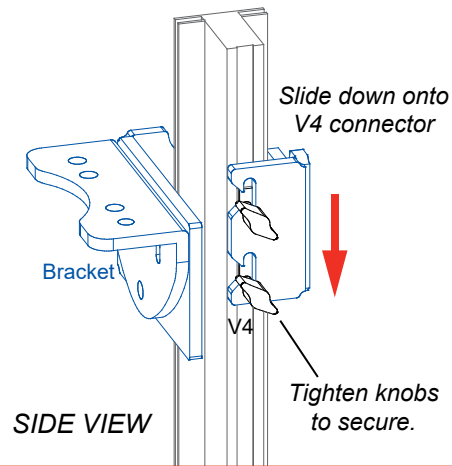


② Slide bracket forward, then down onto V4 connector.

*V4 connectors stay permanently attached to vertical extrusion.*



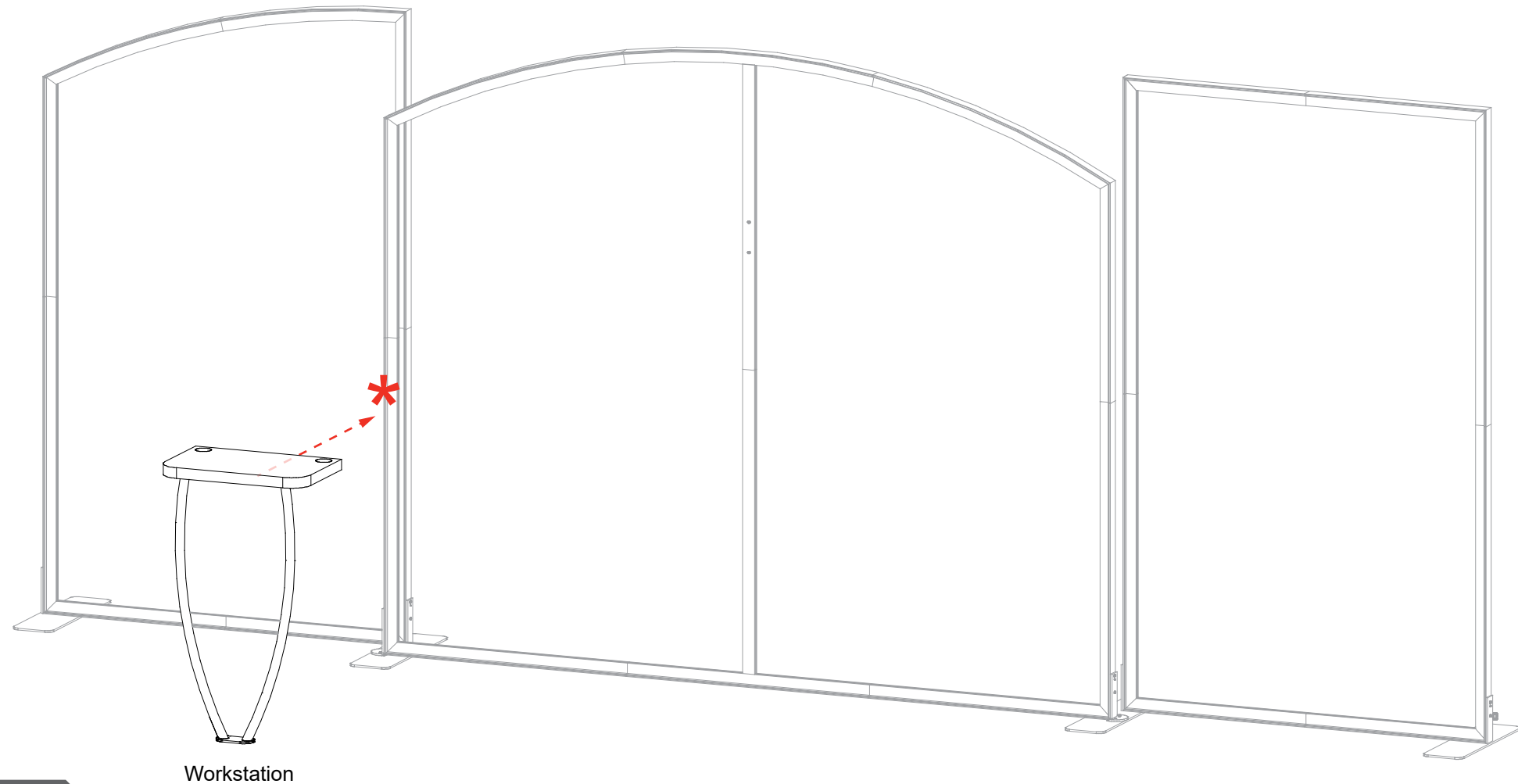
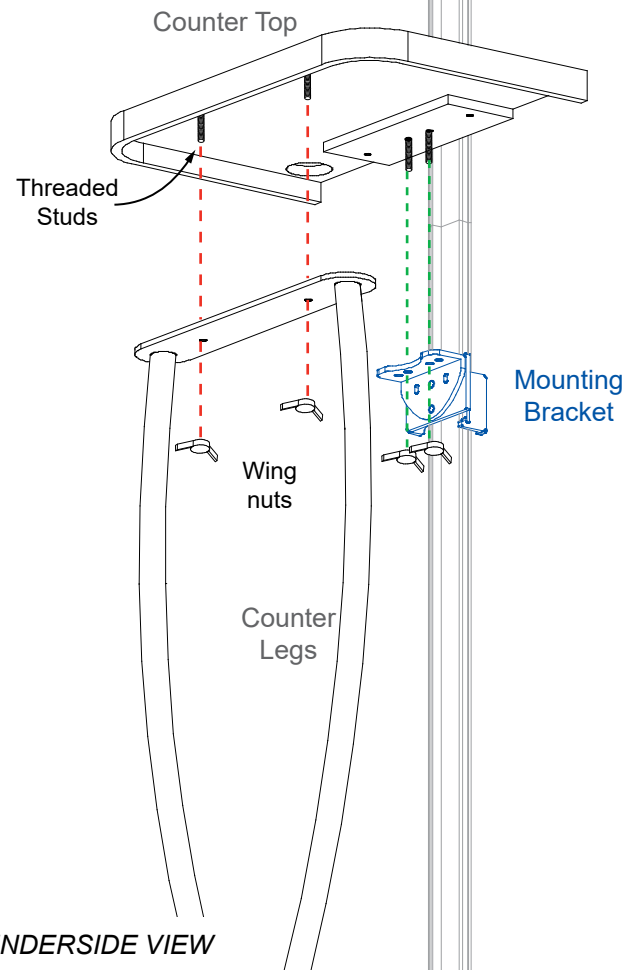
③ Tighten thumb screws to secure connection.



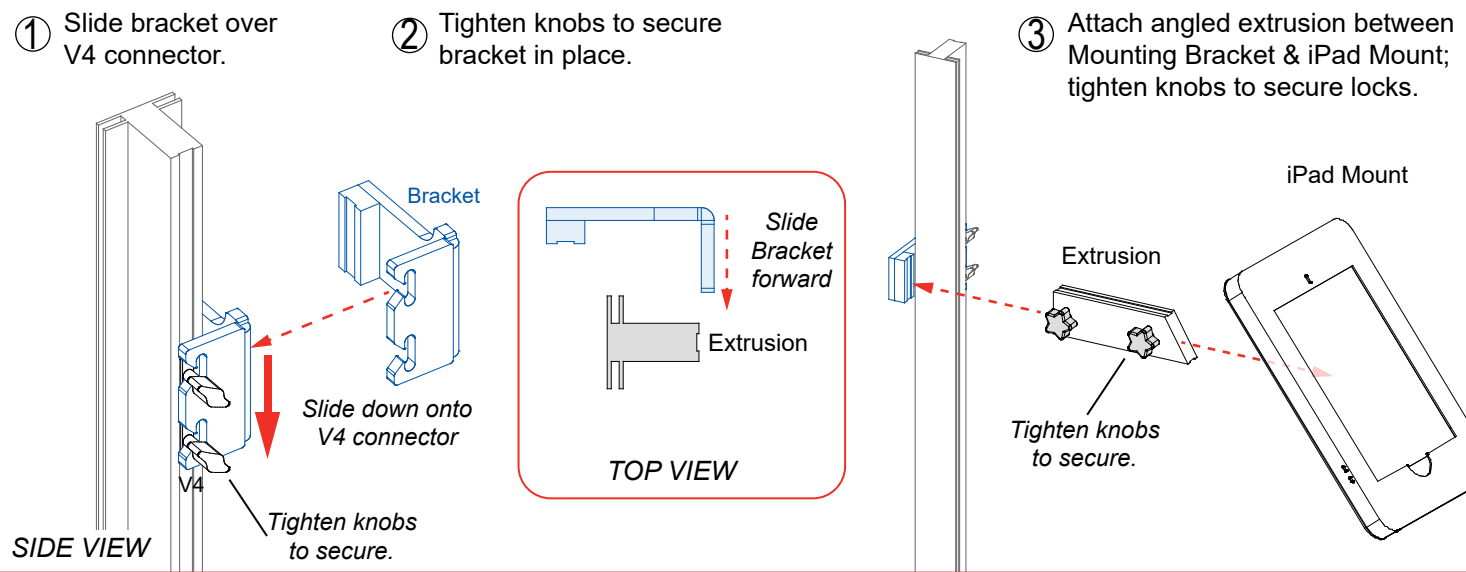
When assembled

Steps:

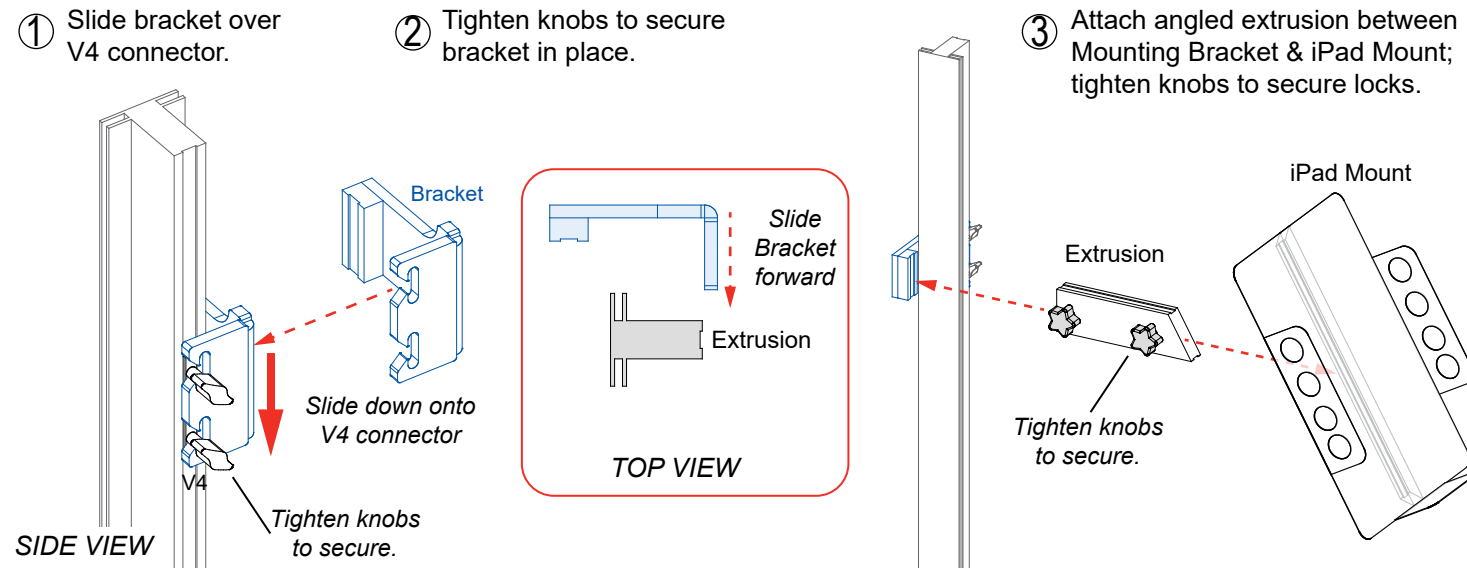
- 1) Attach Workstation Mounting Bracket to backwall vertical. See **Workstation Mounting Bracket Attachment** detail.
- 2) Attach threaded studs on underside of Counter Top to Counter Legs & secure with wing nuts.
- 3) Connect Counter assembly to Mounting Bracket using wing nuts.
- 4) Connect power cords to wireless charging pads.



**iPad Swivel Mount Attachment**

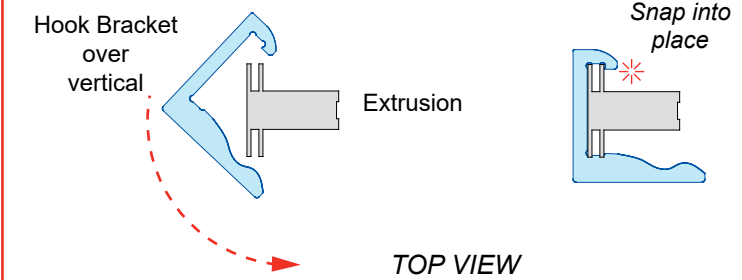


**Literature Tray Attachment**

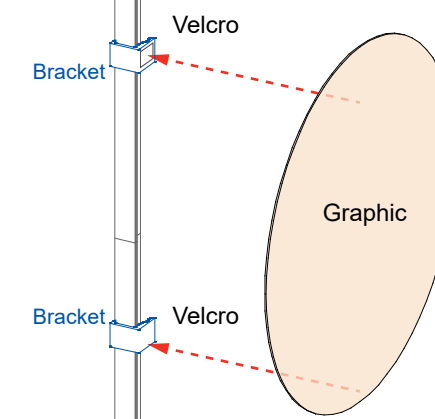


**Floating Graphic Attachment**

- Hook the Graphic Bracket onto the vertical extrusion & snap into place.



- Affix graphic to Bracket using Velcro.



Note: 2 brackets are required.